



TechPress 3x™
MOUNTING PRESS

*A PROGRAMMABLE MOUNTING PRESS
USED TO ENCAPSULATE SAMPLES FOR
METALLOGRAPHIC PREPARATION*



The **TechPress 3x™** Electro-Hydraulic Automatic Mounting Press is used to encapsulate samples for metallographic preparation.

The microprocessor-based system allows the operator to use either manual input or a preloaded database of 80 adjustable programs, which include parameters for mold size, single mount or duplexing, mounting resin, curing time and temperature, cooling time and pressure.

It features an intuitive interface using a 7" color LCD touchscreen to control all functions, and is selectable between 10 languages.

Mold assemblies can be changed from 25 mm through 2", and include a duplexing spacer, allowing two mounts per cycle to be produced at one time.


Durable: Engineered and constructed using precision machined aluminum and stainless steel components to provide maximum longevity.

Easy to Use: User-friendly functions allow quick, easy, repeatable operation.

Safe: A safety sensor requires full closure of the bayonet cap before cycle start to ensure operator protection.

Mold assemblies, recirculating coolant system and accessories are sold separately.

Features:

- Can prepare up to 2 mounts in 5 minutes
- Selectable languages (English, Italian, French, Spanish, Portuguese, German, Russian, Chinese, Japanese, Korean)
- 7" color LCD touchscreen to control all functions
- Intuitive interface optimized for productivity and function
- Safety sensor to require full closure of bayonet cap before cycle start
- Selectable units: psi/BAR, °C/°F
- Two modes of operation: "manual input" or one-touch "programs" from a database of 80 preloaded, adjustable parameters for mold size, single mount or duplexing, mounting resin, curing time and temperature, cooling time and pressure
- Mold assemblies that can be changed from 25 mm through 2", and include a duplexing spacer, allowing up to two mounts per cycle
- One-touch or momentary-touch ram extension and retraction
- Seamless integration with optional #5-1550 Recirculating Coolant System for standalone or "green" operation
- Enclosure resistant to impact, corrosion, and heat
- Non-conductive bayonet handles that remain cool during operation
- Bayonet holding tray that protects the die from damage between cycles
- Compact, narrow footprint
- Password protectable parameters
- Heating power: 1500 W
- Molding pressure: up to 4500 psi (310 Bar)
- Curing temperature: 0-200 °C (32-392 °F)
- Curing time: 0-100 minutes
- Cooling time: 0-100 minutes
- Two (2) year warranty
- Designed and manufactured by Allied in the USA 

Item	Description
5-1100	TechPress 3x™, 120-230 V

Mold/Heater Assemblies



A range of mold/heater assemblies are available to accommodate various size samples. They may be changed from 25 mm through 2 inch, and include a duplexing spacer, allowing up to two mounts per cycle to be produced at one time. The new coiled heating and cooling lines within the cast housing and thin-walled cylinders allow quick and efficient cycling.

Item	Description
5-1105	1" Mold with Duplex Spacer
5-1110	1.25" Mold with Duplex Spacer
5-1115	1.5" Mold with Duplex Spacer
5-1120	2" Mold with Duplex Spacer
5-1125	25 mm Mold with Duplex Spacer
5-1130	30 mm Mold with Duplex Spacer
5-1135	40 mm Mold with Duplex Spacer
5-1140	50 mm Mold with Duplex Spacer



Duplexing spacer provided with each mold assembly allows 2 mounts to be produced per cycle.



Mold assemblies are interchangeable.

Intuitive



Choose Input Mode when entering data manually, or use Programs Mode to access the pre-loaded database of 80 preset programs that can be changed or customized according to material.



Intuitive, icon-based interface includes option for one-touch or momentary-touch ram extension and retraction.



Pop-up keypad makes numerical entry easy. The 7" color LCD touchscreen is used to control all functions and is extremely easy to navigate, allowing greater efficiency among users.



Password protection option maintains integrity of the program database to ensure repeatability.

Compact



Narrow 11.5" (292 mm) footprint saves counter space.

Easy To Use



New bayonet design - smooth, effortless opening after cycle

Versatile



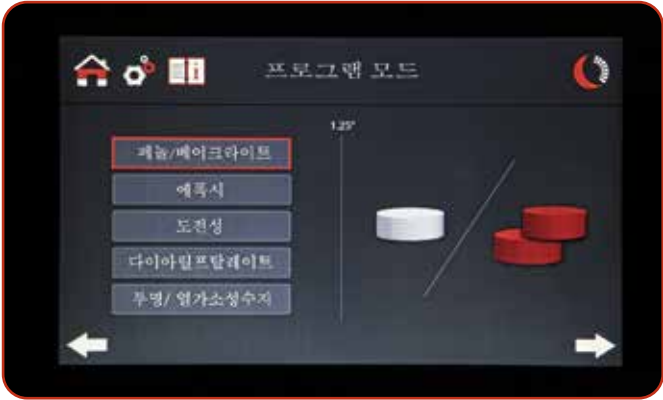
80 easily selectable, pre-loaded and adjustable programs for all mounting materials and mold sizes



Prepare two mounts per cycle up to 2" / 50 mm.



Selectable languages (English, Italian, French, Spanish, Portuguese, German, Russian, Chinese, Japanese, Korean)



Programs Mode: Korean

Convenient



Bayonet holding tray protects the die from damage between cycles.

Safe



Safety sensor requires full closure of bayonet cap before cycle start.

Interchangeable Mold Assemblies



Remove Cover



Unplug and Disconnect Hoses



Remove and Replace Mold Assembly

Recirculating Coolant System

Environmentally Friendly 



The recirculating coolant system connects seamlessly to the **TechPress 3x™** for standalone or “green” operation. The 3-gallon system circulates a unique coolant that effectively cools the mold assembly after the curing cycle. This not only saves water (~ 12 gallons per cycle), it eliminates problems associated with hard water deposits in the coolant system inside the press, which can cause logging over time.

Item	Description
5-1550	Recirculating Coolant System, 115 V
5-1550-230	Recirculating Coolant System, 230 V
Dims: 12" W x 23" D x 13.25" H (305 x 584 x 337mm)	
Weight: 28 lb. (13 kg)	

Mount Storage Cabinet

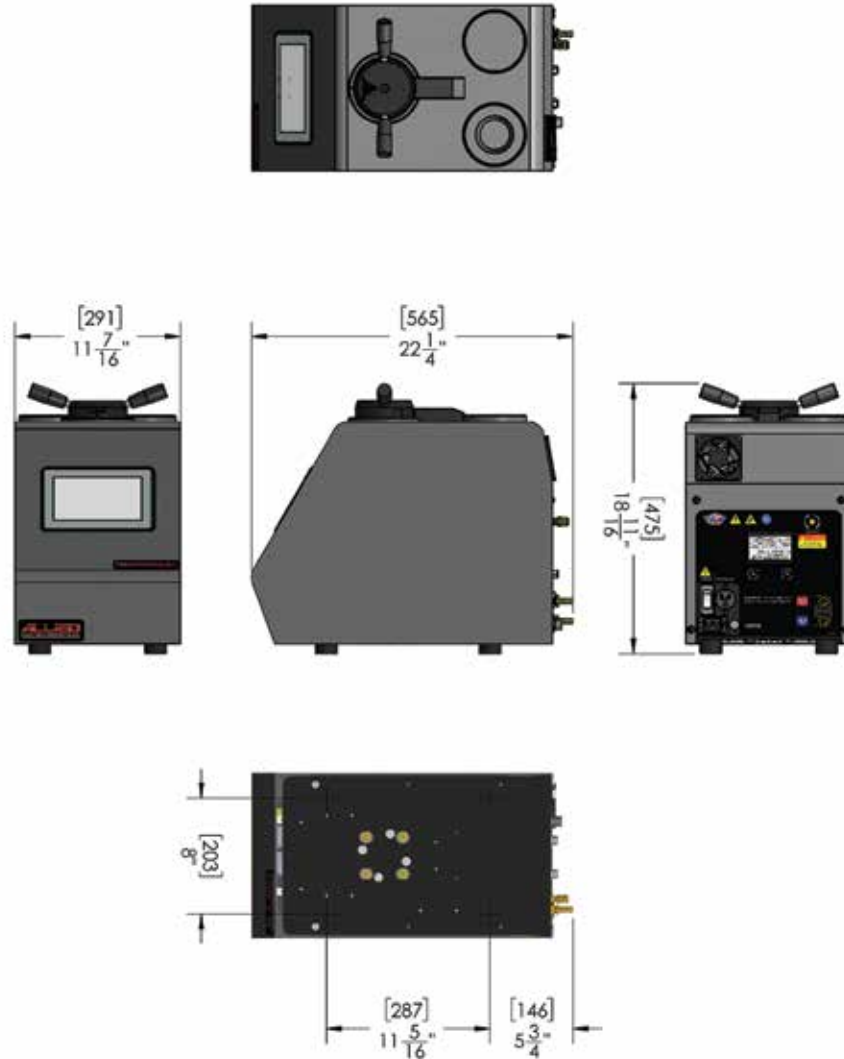


Shown with door removed for visual clarity

The cabinet provides storage for polished mounts to prevent corrosion and dust contamination. The 10 cloth-lined drawers absorb moisture and hold mount dividers for easy organization. The locking door provides a sealed environment. Rechargeable desiccant canister is included. **Dividers are sold separately.**

Item	Description
30-8000	Mount Storage Cabinet
30-8005	Mount Divider, (144) 1" or 25 mm diameter
30-8005	Mount Divider, (100) 1.25" or 30 mm diameter
30-8005	Mount Divider, (61) 1.5" or 40 mm diameter
30-8005	Mount Divider, (36) 2" or 50 mm diameter
Dims: 19" W x 19" D x 19" H (483 x 483 x 483 mm)	
Weight: 72 lb. (33 kg)	

Dimensions



Technical Specifications

Heating Power	1500 W
Molding Pressure	up to 4500 psi (310 Bar)
Curing Temperature	0-200 °C (32-392 °F) in 1° intervals
Curing Time	0-100 minutes, in 1-second intervals
Cooling Time	0-100 minutes, in 1-second intervals
Display	7" Color LCD Touchscreen
Electronics	Microprocessor controlled
Selectable Languages	English, Italian, French, Spanish, Portuguese, German, Russian, Chinese, Japanese, Korean
Selectable Units	psi/Bar, °C/°F
Operating Voltages	120/230 V
Safety	Safety interlock to require closure of bayonet cap before cycle start
Weight	85 lb. (38.5 kg)
Warranty	2 years
Included Items	Funnel, mount flash scraping tool, operation manual, country specific power cord

Global Distribution of the World's Finest Products



Contact Allied for all your consumables needs!

Brochure #: TP3x-V2.0

Equipment is subject to change due to innovations/improvements at any time.



Designed and Manufactured by
Allied High Tech Products, Inc.
in the USA

ALLIED
HIGH TECH PRODUCTS, INC.

- Cerritos, California
- Norwalk, California
- Edmond, Oklahoma

310.635.2466 Worldwide / 800.675.1118 U.S. & Canada
Visit us online! www.alliedhightech.com